

Techmarine™

...the Luxury Brand in Marine Electronics.

>> CATALOGUE 2008

>> ENGLISH



Marine Navigation System

Professional Chart Plotter
Radar
Multifunctional Chart Plotter
NMEA Instruments
Autopilot
FishFinder
Satellite TV Antenna



Performance, high quality and design are the main characteristics of Techmarine products, created to satisfy the needs of even the most demanding pleasure boaters.

The large number of instrument inputs and outputs mean a wide range of combinations, thus making it possible to create an attractive, command centre thanks to its own built-in capability.

We hope this catalogue provides you with all the answers you need and meets your requirements.

Turn the pages, immerse yourself in the Techmarine world and make the best choice for your boat.

Welcome to the new Techmarine world of marine electronics!
Techmarine staff

Quality and service

Our customer services network provides the assistance and support you need.

Special numbers for **technical assistance** are operative during working hours:

Tel +39 0543 785236 Fax +39 0543 785205

Call our Customer Services office. We will be pleased to help you choose the most suitable products for your boat!

You will find services relating to our product database, technical manuals and general information on our website:
info@techmarine-europe.com

CONTENTS

Introduction	page 2	Radar.....	page 14-17
Suggested system combinations	page 3	Satellite TV antenna	page 18-19
S series Chart plotters	page 4-5	Autopilots	page 20-21
T series Chart plotters.....	page 6-7	NMEA instruments	page 22-23
Professional multifunction instruments	page 8-11	SAM boat monitoring system	page 24-25
FishFinder.....	page 12-13		

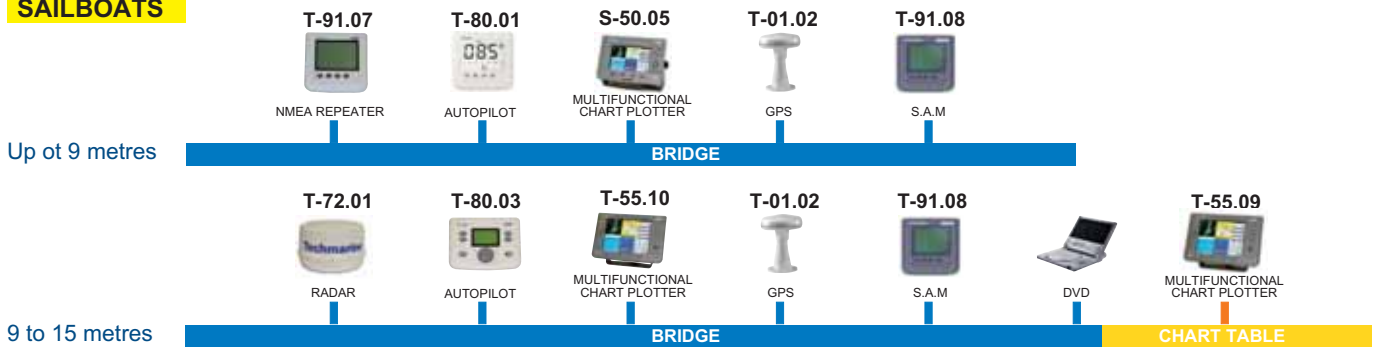


NETWORK DISPLAYS

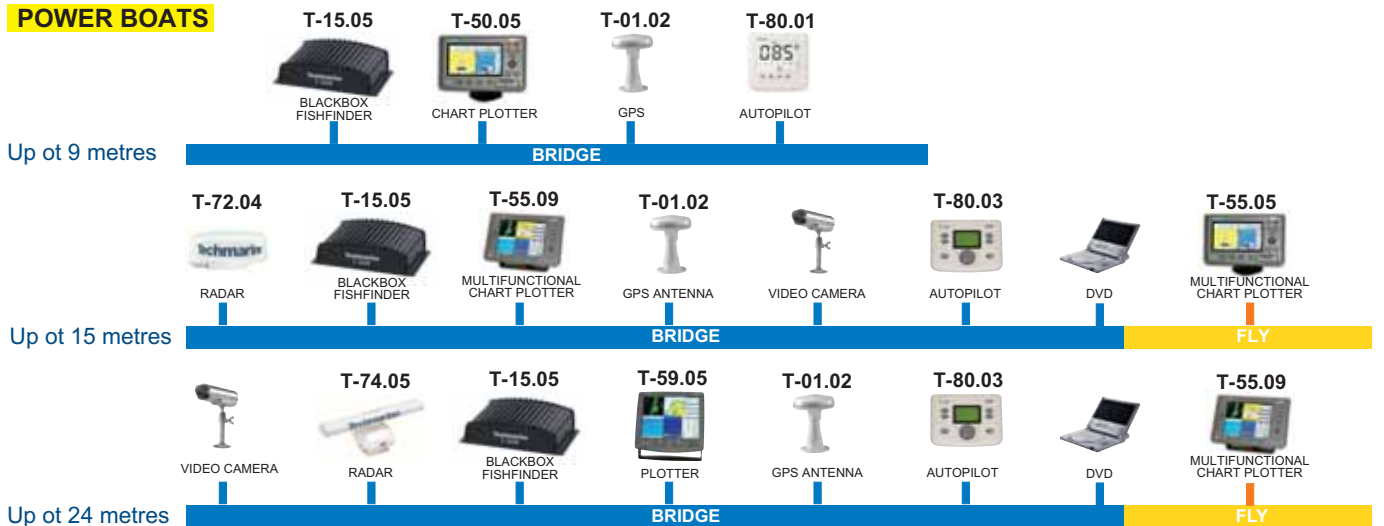


RECOMMENDED SYSTEMS FOR SAILING AND POWER BOATS

SAILBOATS



POWER BOATS





UNBEATABLE PERFORMANCE

Tech 5" S

A compact, innovative chart plotter featuring a complete range of functions, able to satisfy even the most demanding pleasure boaters. Now more powerful and compact, S-5x.02 multifunctional chart plotters are the perfect solution for speedboats and RIBs. The Fish Finder function is also available, coupled with the T-15.05 BlackBox dual frequency instrument.



External Antenna
S-50.02
119.0063
Internal Antenna
S-55.02
119.0060

Tech 7" S

Innovative, multifunctional chart plotter which unites the power of the new processors with the latest, high-resolution, sunlight viewable LCD WVGA. Can be transformed into fish finder and radar when coupled with the T-15 and T-7x series instruments. S-5x.05 products are characterised by the opportunity to split the display into 4 navigation functions, namely, Cartographical Plotter, Fish Finder, Radar, Navigation data. Video input for engine room and mooring control also available.

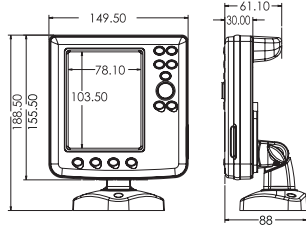


External Antenna
S-50.05
119.0073

Internal Antenna
S-55.05
119.0070

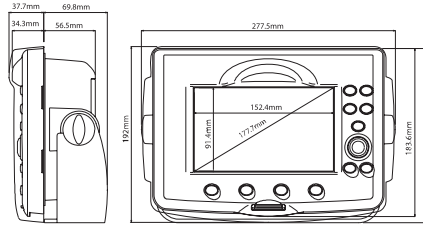
S-50.02/S-55.02

Dimensions



S-50.05/S-55.05

Dimensions



Ext = External Antenna Int = Internal Antenna

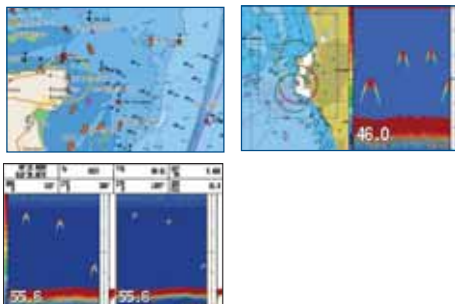
Specifications S-50.02 (ext GPS) / S-55.02 (int GPS)

DISPLAY	
DIMENSIONS	5" TFT LCD COLOR
RESOLUTION	QVGA 240 x 320
CONTRAST	200
SUNLIGHT VIEWABLE	Yes
HARDWARE	
CPU	ARM9 S4C2442 Samsung 200 Mhz
GRAPHICS CONTROLLER	No
INTERNAL STORAGE	64 Mb
INTERNAL SDRAM	32 Mb
ELECTRIC POWER SUPPLY	10-35 Vdc
CONSUMPTION	6W (0,5 A @ 12V)
USB	USB V1.0 for updating software and planisphere
VIDEO INPUT	No
C-CARD CARTRIDGE SLOT	1
SERIAL PORTS IN/OUT	3
CONNECTORS	1 for S-55.02 2 for S-50.02
WEIGHT	0,54 Kg
BACKGROUND	worldwide coverage with 2 Nm zoom range
MAP ROTATION	North-up, Track-up, Course-up
OPERATING TEMPERATURES	0° - 50° C
INSTALLATION	Bracket mounted or built-in
ROUTES	25
POINTS PER ROUTE	50 (max)
WAYPOINTS	500
TRACKS	5
POINTS PER TRACK	1000 (max)
SPECIAL FUNCTIONS	Weather overlay, Second station repeater, Guardian Tecnology, A.I.S., FishFinder (single/dual frequency)

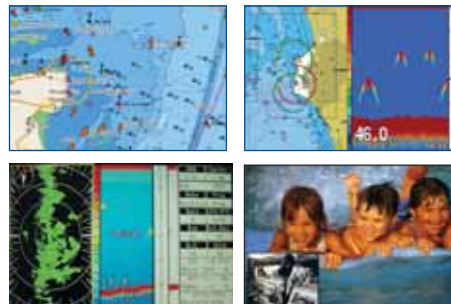
Specifications S-50.05 (ext GPS) / S-55.05 (int GPS)

DISPLAY	
DIMENSIONS	7" TFT LCD COLOR
RESOLUTION	WVGA 800 x 480
CONTRAST	300
SUNLIGHT VIEWABLE	Yes
HARDWARE	
CPU	ARM9 S4C2442 Samsung 300 Mhz
GRAPHICS CONTROLLER	AL310
INTERNAL STORAGE	64 Mb
INTERNAL SDRAM	32 Mb
ELECTRIC POWER SUPPLY	10-35 Vdc
CONSUMPTION	11 W max (1,1 A @ 10V)
USB	USB V1.0 for updating software and planisphere
VIDEO INPUT	1
C-CARD CARTRIDGE SLOT	2
SERIAL PORTS IN/OUT	5
CONNECTORS	3 for S-55.05 4 for S-50.05
WEIGHT	1,3 Kg
BACKGROUND	worldwide coverage with 2 Nm zoom range
MAP ROTATION	North-up, Track-up, Course-up
OPERATING TEMPERATURES	0° - 50° C
INSTALLATION	Bracket mounted or built-in
ROUTES	25
POINTS PER ROUTE	50 (max)
WAYPOINTS	500
TRACKS	5
POINTS PER TRACK	1000 (max)
SPECIAL FUNCTIONS	Weather overlay, Second station repeater, Guardian Tecnology, A.I.S., FishFinder (single/dual frequency) Radar, video camera

SAMPLE OF AVAILABLE FUNCTIONS



SAMPLE OF AVAILABLE FUNCTIONS





ELEGANCE, PERFORMANCE AND DESIGN

Tech 5" T

A compact, innovative, well-lit, sunlight viewable chart plotter, featuring a series of covers for personalising and making it unique when matched with the colours of the helm station. Can be flush (completely built in, on a level with the helm) or bracket mounted. The adjustable bracket can be both tilted and rotated, and the chart plotter transformed into a fish finder if coupled with the T-15.05.

External antenna
T-50.02
119.0003

Internal antenna
T-55.02
119.0001



Tech 7" T

The smallest, multifunctional chart plotter. Radar and fish finder capability when coupled with T-7x and T-15.05 series instruments. Can be flush (completely built in, on a level with the helm) or quick-release, bracket mounted. Well-lit and sunlight viewable, it features function keys providing immediate access to the menu pages.

New

The new model is with WVGA high resolution display. They have the capability to display up to 4 navigation functions: Cartography, Fish Finder, Radar, Navigation, Data. Video input for engine room and mooring control also available.

External antenna
T-50.05
119.0013

Internal antenna
T-55.05
119.0010

New

External antenna
T-50.06
119.0016

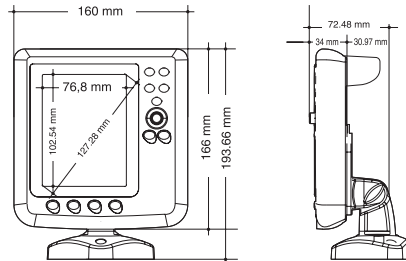
Internal antenna
T-55.06
119.0014



N.B. All the 5" and 7" models are available with external or internal GPS Antenna.

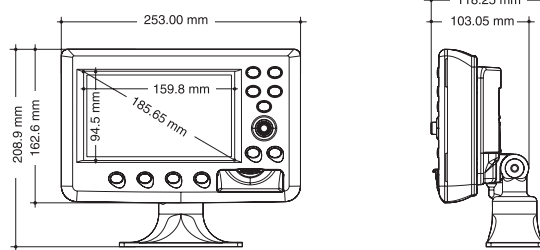
T-50.02/T-55.02 T-50.05/T-55.05/T50.06/T-55.06

Dimensions



Ext = External antenna Int = Internal antenna

Dimensions



Specifications T-50.02 (ext GPS) T-55.02 (int GPS)

DISPLAY

DIMENSIONS	5" colour LCD
RESOLUTION	240 x 320 pixel
SUNLIGHT VIEWABLE	Yes

HARDWARE

CPU	ARM9 S3C2410 Samsung 200 MHz
ELECTRIC POWER SUPPLY	10-35 Vdc
CONSUMPTION	6W (0,5 A @ 12V)
C-CARD CARTRIDGE SLOT	1
SERIAL PORTS IN/OUT	3
CONNECTORS	Power I/O: 8 wires GPS: 6 pin (for T-50.02)
WEIGHT	T-50.02: 0,55 Kg T-55.02: 0,6 Kg
BACKGROUND	worldwide coverage with 2 Nm zoom range
MAP ROTATION	North-up, Track-up, Course-up
OPERATING TEMPERATURE	0 - 55°C
INSTALLATION	bracket, panel or flush mounted
ROUTES	25
POINTS PER ROUTE	50 (max)
WAYPOINTS	500
TRACKS	5
POINTS PER TRACK	1000 (max)
SPECIAL FUNCTIONS	Weather overlay Second station repeater Guardian Technology, A.I.S. FishFinder (single/dual frequency)

Specifications T-50.05 (ext GPS) T-55.05 (int GPS)

DISPLAY

DIMENSIONS	7" (16:9 format) colour LCD
RESOLUTION	480 x 234 pixel
SUNLIGHT VIEWABLE	Yes

HARDWARE

CPU	ARM9 S4C2410 Samsung 300 MHz
ELECTRIC POWER SUPPLY	10-35 Vdc
CONSUMPTION	7,5W (0,63 A @ 12V)
C-CARD CARTRIDGE SLOT	1
SERIAL PORTS IN/OUT	3
CONNECTORS	Power I/O: 10 Wires GPS: 6 pin (for T50.05)
WEIGHT	1,1 Kg
BACKGROUND	worldwide coverage with 2 Nm zoom range
MAP ROTATION	North-up, Track-up, Course-up
OPERATING TEMPERATURE	0 - 55°C
INSTALLATION	bracket, panel or flush mounted
ROUTES	25
POINTS PER ROUTE	50 (max)
WAYPOINTS	500
TRACKS	5
POINTS PER TRACK	1000 (max)
SPECIAL FUNCTIONS	Weather overlay Second station repeater Guardian Technology, A.I.S. FishFinder (single/dual frequency), Radar

Specifications T-50.06 (ext GPS) T-55.06 (int GPS)

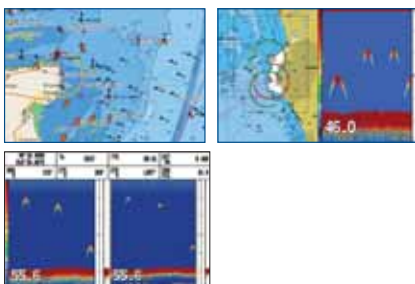
DISPLAY

DIMENSIONS	7" TFT LCD COLOUR
RESOLUTION	WVGA 800 x 480
CONTRAST	300
SUNLIGHT VIEWABLE	Yes

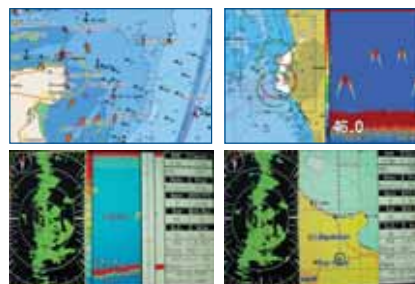
HARDWARE

CPU	ARM9 S4C2442 Samsung 300 Mhz
GRAPHIC CONTROLLER	AL310
INTERNAL STORAGE	64 Mb
INTERNAL SDRAM	32 Mb
ELECTRIC POWER SUPPLY	10-35 Vdc
CONSUMPTION	11 W max (1,1 A @ 10V)
USB	V1.0 for updating software and planisphere
VIDEO INPUT	1
C-CARD CARTRIDGE SLOT	1
SERIAL PORTS IN/OUT	5
CONNECTORS	power I/O: 10 wires 1: 8 pin; 1 video in: 3 pin
WEIGHT	1,3 Kg
BACKGROUND	worldwide coverage with 2 Nm zoom range
MAP ROTATION	North-up, Track-up, Course-up
OPERATING TEMPERATURE	0° - 50° C
INSTALLATION	bracket mounted or built-in
ROUTES	25
POINTS PER ROUTE	50 (max)
WAYPOINTS	500
TRACKS	5
POINTS PER TRACK	1000 (max)
SPECIAL FUNCTIONS	Meteo in Overlay, Second station repeater, Guardian Tecnology, A.I.S., FishFinder (single/dual frequency) Radar, Video camera

SAMPLE OF AVAILABLE FUNCTIONS



SAMPLE OF AVAILABLE FUNCTIONS



SAMPLE OF AVAILABLE FUNCTIONS





MULTIFUNCTIONAL PROFESSIONAL INSTRUMENTS

Tech 11" T

New, 11", four function chart plotter (cartographical plotter, fish finder, radar, navigation data) with new SVGA resolution (800x600 pixel), sunlight viewable LCD. The T-55.10 completes the range of flush mounted instruments which can be built-in on a level with the helm, making the T-5x multifunctional chart plotter the ideal solution for boats fitted with latest generation panel instrumentation.

The T-55.10 features 2 video inputs, to control on-board areas and guarantee safety during navigation, as well as 1 video output for repeating all the information available wherever needed.

The T-55.09 features 2 video input with resolution 640x480, it is sunlight viewable LCD.



T-55.09
119.0022

T-55.10
119.0023

Tech 12" T

Techmarine offers a series of products for sea professionals. The tried and tested, 12", multifunctional chart plotter, revised with the new SD for data storage features a new, well-lit display, and maintains its sturdy, metal casing. Operates as radar and fish finder, too, when coupled with the T-7x and the T-15.05.

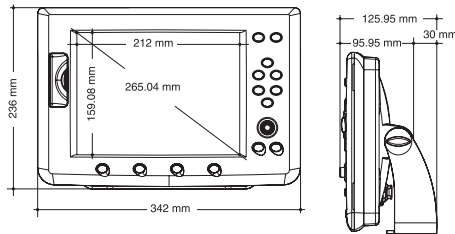
N.B. GPS antenna T-01.02, is not included, please order separately.



T-59.09
119.0121

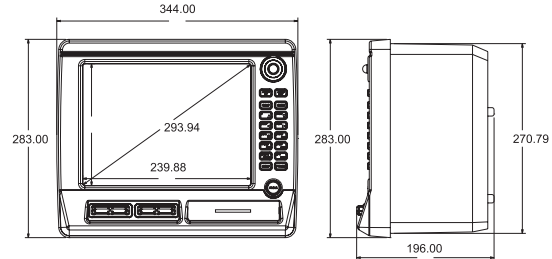
T-55.09/T-55.10

Dimensions



T-59.09

Dimensions



Specifications T-55.09 (sunlight viewable, colour LCD) T-55.10 (SVGA sunlight viewable, colour LCD)

DISPLAY

DIMENSIONS	10.4" colour LCD
RESOLUTION	640 x 480 T-55.09 800 x 600 SVGA T-55.10

SUNLIGHT VIEWABLE Yes

HARDWARE

CPU	ARM9 S3C2442 Samsung 300 MHz
ELECTRIC POWER SUPPLY	10-35 Vdc
CONSUMPTION	18W (1,5A @ 12V)
C-CARD CARTRIDGE SLOT	1
SERIAL PORT IN/OUT	5
CONNECTORS	Power I/O: 8 pin AUX I/O: 8 pin GPS: 6 pin 2 Video IN: 3 pin Video OUT: T-55.10
WEIGHT	1,6 Kg
VIDEO INPUT	2 PPAL o NTSC signal inputs
VIDEO OUTPUT	1 T-55.10
BACKGROUND	worldwide coverage with 2 Nm zoom range
MAP ROTATION	North-up, Track-up, Course-up
OPERATING TEMPERATURE	0° - 55° c
INSTALLATION	Bracket, panel or flush mounted
ROUTE	50
POINTS PER ROUTE	50 (max)
WAYPOINTS	1000
TRACKS	5
POINTS PER TRACK	5000 (max)
SPECIAL FUNCTIONS	weather Overlay, second station repeater Guardian Tecnology, A.I.S., FishFinder (single/dual frequency) Radar, Video camera

Specifications T-59.09 (GPS ext. not included)

DISPLAY

DIMENSIONS	12.1" colour LCD
RISOLUTION	800 x 600 pixel SVGA

SUNLIGHT VIEWABLE No

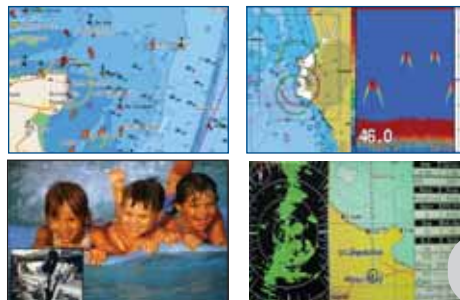
HARDWARE

CPU	ARM 9 S3C 2440 Samsung 400 MHz with video processor
ELECTRIC POWER SUPPLY	10-35 Vdc
CONSUMPTION	16 W (1,3A @ 12V)
C-CARD CARTRIDGE SLOT	4
SLOT MEMORY CARD	Slot for SD memory cards
SERIAL PORTS IN/OUT	5
CONNECTORS	Power I/O: 8 pin AUX I/O: 8 pin GPS: 6 pin 2 Video IN: 3 pin Video OUT
WEIGHT	8,5 Kg
VIDEO INPUT	2 PPAL o NTSC signal inputs
VIDEO OUTPUT	1
BACKGROUND	worldwide coverage with 2 Nm zoom range
MAP ROTATION	North-up, Track-up, Course-up
OPERATING TEMPERATURE	0° - 55° c
INSTALLATION	bracket mounted
ROUTES	5000
POINTS PER ROUTE	5000 (max)
WAYPOINTS	5000
TRACKS	5
POINTS PER TRACK	10000 (max)
SPECIAL FUNCTIONS	weather Overlay, second station repeater Guardian Tecnology, A.I.S., FishFinder (single/dual frequency), Radar, Video camera

SAMPLES OF AVAILABLE FUNCTIONS



SAMPLES OF AVAILABLE FUNCTIONS





MULTIFUNCTION PROFESSIONAL INSTRUMENTS

Tech 15''

Techmarine offers professionals, captains and owners of large yachts navigation instruments studied specifically to meet their requirements. The multifunctional T-59.05 station - plotter, radar, echo-sounder – features a 15'' monitor, well-lit display, input/output video systems and can be connected to any on-board instrument to create an out and out control centre. The system features all the functions for using C-Map MAX cartography to the full.

N.B. GPS antenna T-01.02 is not included, please order separately



T-59.05
119.0110

Controller

The controller features a range of personalised covers in various colours and motifs (carbon, wood, etc.) which makes it possible to personalise the helm station of the boat. This Blackbox chart plotter is extremely versatile, features high resolution (up to 1024x768), and is equipped with function keys providing immediate access to the various pages. It can also operate as a radar and fish finder when coupled with the T-15.05 and the T-7x antennae.

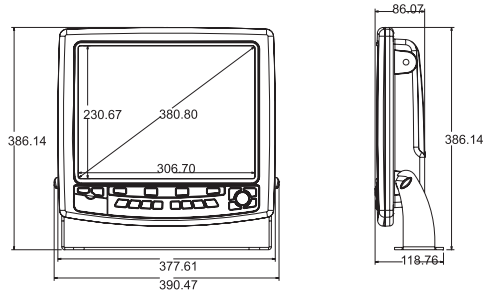
N.B. GPS antenna T-01.02 is not included, please order separately



T-59.01
119.0101

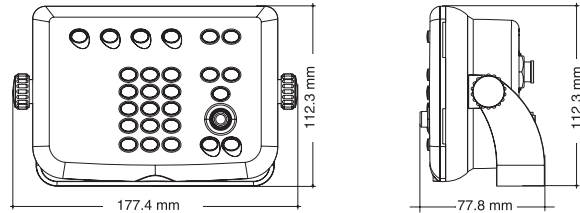
T-59.05

Dimensions



T-59.01

Dimensions



GPS Antenna not included

Specifications T-59.05 (colour)

DISPLAY

DIMENSIONS 15" colour LCD

RESOLUTION 1024 x 768 pixel

SUNLIGHT VIEWABLE No

HARDWARE

CPU ARM9 S3C2410
Samsung 200 MHz

ELECTRIC POWER SUPPLY 10-35 Vdc

CONSUMPTION 30 W (2,5 A @ 12V)

C-CARD CARTRIDGE SLOT 2

SERIAL PORTS IN/OUT 5

CONNECTORS Power I/O: 8 pin
2 AUX I/O: 8 pin
GPS: 6 pin
2 Video IN: 3 pin input signal PPAL o NSTC
Video OUT

WEIGHT 4,5 Kg.

VIDEO OUTPUT for external colour monitor

BACKGROUND worldwide coverage with 2 Nm zoom range

MAP ROTATION North-up, Track-up, Course-up

INSTALLATION bracket, panel or flush mounted

ROUTES 5000

POINTS PER ROUTE 5000 (MAX)

WAYPOINTS 5000

TRACKS 5

POINT PER TRACK 10000 (MAX)

SPECIAL FUNCTIONS Weather overlay
Second station repeater
Guardian Technology, A.I.S.
Fish Finder (single/dual frequency)
Radar, Video camera

Specifications T-59.01 Controller

HARDWARE

CPU ARM9 S3C2410
Samsung 200 MHz

ELECTRIC POWER SUPPLY 10-35 Vdc

CONSUMPTION 2.5 Watt (0,2 A @ 12V)

RESOLUTION 640x480, 800x600,
1024x768 pixel

C-CARD CARTRIDGE SLOT 1

SERIAL PORTS IN/OUT 5

CONNECTORS Power I/O: 8 pin
AUX I/O: 8 pin
GPS: 6 pin
Video OUT

WEIGHT 950 gr (excluding GPS)

VIDEO OUTPUT for external colour monitor

BACKGROUND worldwide coverage with 2 Nm zoom range

MAP ROTATION North-up, Track-up, Course-up

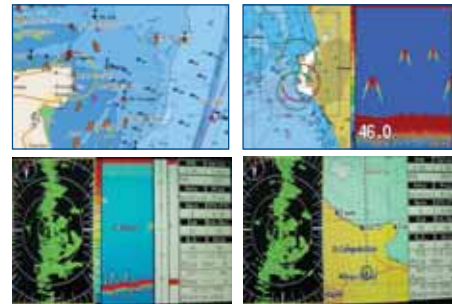
INSTALLATION bracket, panel or flush mounted

SPECIAL FUNCTIONS Weather overlay
Second station repeater
Guardian Technology, A.I.S.
Fish Finder (single/dual frequency)
Radar

SAMPLES OF AVAILABLE FUNCTIONS



SAMPLES OF AVAILABLE FUNCTIONS





PROFESSIONAL FISH FINDERS

Fish Finder

A compact fish finder, featuring a complete range of functions able to satisfy even the most demanding pleasure boater. Equipped with infrared remote control and supplied as standard with bronze thru-hull transducer.

T-15.07
119.0501

T-15.08
119.0503



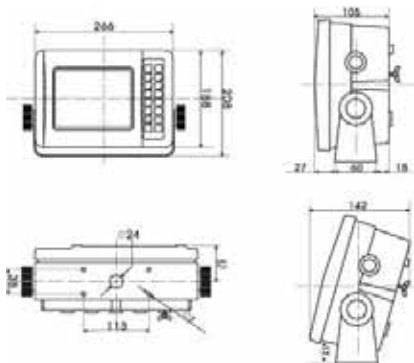
Black Box

Black Box has been specially designed to be used with any of the products in the multifunctional chart plotter range. The double fishing - cruising function and double 50/200 khz frequency guarantees the best solution for use at all times. Can be coupled with various kinds of plastic transom or thru-hull transducers, in-hull transducers, or bronze thru-hull transducers.

T-15.05
119.0152



T-15.07



Specifications T-15.07 Fish Finder

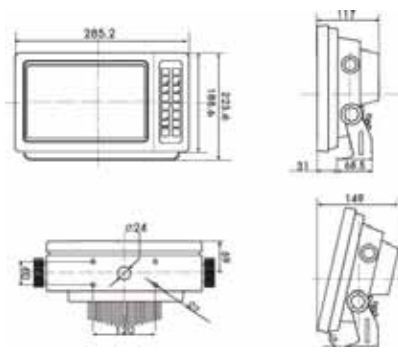
DISPLAY

DIMENSIONS	6"
RESOLUTION	640 x 480 pixel

HARDWARE

ELECTRIC POWER SUPPLY	11-40 Vdc
CONSUMPTION	13 Watt (1A @ 12V)
ALARMS	Shallow water Deep water Fish alarm: small, medium, large
DIMENSIONS	266 x 188 x 105 (L x H x D)
WEIGHT	2,1 Kg
FREQUENCY	50/200 KHz
OPERATING RANGE	2.5 - 1000 Mt/fathoms
POWER	300W rms
OPERATING TEMPERATURE	0 - 45° C
INSTALLATION	bracket mounted

T-15.08



Specifications T-15.08 Fish Finder

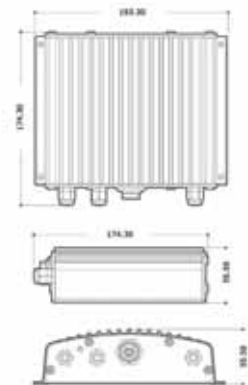
DISPLAY

DIMENSIONS	8"
RESOLUTION	640 x 480 pixel

HARDWARE

ELECTRIC POWER SUPPLY	11-40 Vdc
CONSUMPTION	13 Watt (1A @ 12V)
ALARMS	Shallow water Deep water Fish alarm: small, medium, large
DIMENSIONS	285 x 189 x 117 (L x H x D)
WEIGHT	3,2 Kg
FREQUENCY	50/200 KHz
OPERATING RANGE	2.5 - 1000 Mt/fathoms
POWER	600W rms
OPERATING TEMPERATURE	0 - 45° C
INSTALLATION	bracket mounted

T-15.05



Specifications T-15.05 Blackbox Fish Finder

DISPLAY COLOURS	16 colours on colour chart plotter, or 16 shades of grey on grey shade cartographical plotter
------------------------	---

DISPLAY RESOLUTION VERTICAL	up to 400 pixels (depending on chart plotter screen resolution)
------------------------------------	--

ELECTRIC POWER SUPPLY	10-35 Vdc
------------------------------	-----------

MAXIMUM POWER CONSUMPTION	17 W max (1A @ 12V)
----------------------------------	---------------------

POWER CONSUMPTION ON STAND-BY	1.7 W max
--------------------------------------	-----------

OPERATING FREQUENCY	50/200 kHz
----------------------------	------------

ACOUSTIC SOUNDER POWER	500/1000W (4000/8000Wpp)
-------------------------------	-----------------------------

EXTERNAL AUDIBLE SIGNAL (BUZZER)	12Vdc, 400ma
---	--------------

OPERATING TEMPERATURE	0° C a + 50° C
------------------------------	----------------

WEIGHT	1 Kg
---------------	------

DIMENSIONS	193 mm x 55 mm
-------------------	----------------

LEVEL OF PROTECTION	IP 54
----------------------------	-------

P58



P319



P79



B258





THE MOST IMPORTANT FUNCTION: SIGHT

Radar Dome

The difference between an integrated, on-board system and a simple, stand alone instrument is the possibility to connect up to the main on-board peripheral devices and increase their functions. Techmarine offers a 5 model range of radars, from the compact Radome 2 Kw 24Nm ideal for RIBs and sailboats, to the Open 4kw 48Nm models, ideal for pleasure boating and professional motoryachts.



T-72.01
119.0201

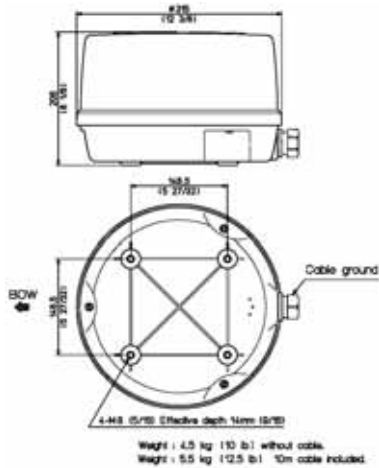


T-72.02
119.0202



T-72.04
119.0203

T-72.01

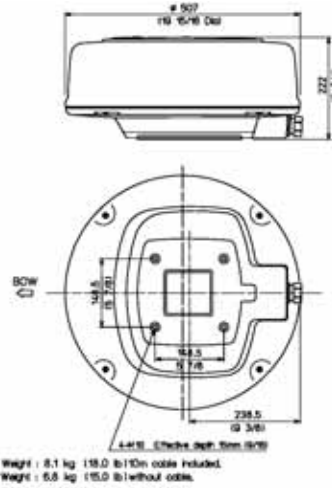


Specifications

T-72.01 Radar Radome 24Nm

ANTENNA TYPE	Radome 0,9 feet
TRANSMISSION POWER	2Kw
TRANSMISSION FREQUENCY	9445 ± 30 MHz
BEAM WIDTH (DEGREES)	Horizontal 7°, Vertical 25°
SIDE LOBES	TO ± 10° -20dB
ROTATION RATE	30 rpm
OPERATING TEMPERATURE	-25° C +55° C
IMMUNITY TO WIND (RELATIVE)	100 knots
LEVEL OF PROTECTION	IPX6 (IEC60529)
RANGE (Mn)	1/8 to 24
IMAGE PRESENTATION	Head up, North up, Course up
CABLE LENGHT	10 metres (standard)
ELECTRIC POWER SUPPLY	10.8 to 31.2 Vdc
CONSUMPTION	30W or less (2,5A @ 12V)

T-72.02

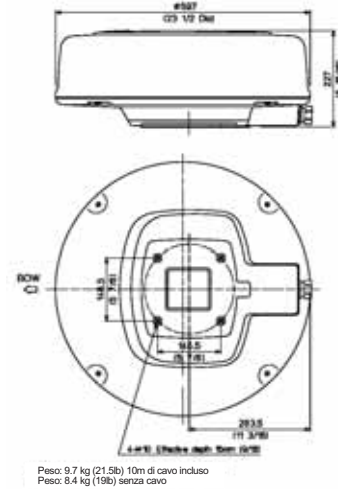


Specifications

T-72.02 Radar Radome 24Nm

ANTENNA TYPE	Radome 1,5 feet
TRANSMISSION POWER	2Kw
TRANSMISSION FREQUENCY	9445 ± 30 MHz
BEAM WIDTH (DEGREES)	Horizontal 4,7°, Vertical 25°
SIDE LOBES	TO ± 10° -20dB
ROTATION RATE	30 rpm.
OPERATING TEMPERATURE	-25° C +55° C
IMMUNITY TO WIND (RELATIVE)	100 knots
LEVEL OF PROTECTION	IPX6 (IEC60529)
RANGE (Mn)	1/8 to 24
IMAGE PRESENTATION	Head up, North up, Course up
CABLE LENGHT	10 metres (standard)
ELECTRIC POWER SUPPLY	10.8 to 41.6 Vdc
CONSUMPTION	30W or less (2,5A @ 12V)

T-72.04



Specifications

T-72.04 Radar Radome 36Nm

ANTENNA TYPE	Radome 1,8 feet
TRANSMISSION POWER	4Kw
TRANSMISSION FREQUENCY	9410 ± 30 MHz
BEAM WIDTH (DEGREES)	Horizontal 4,0°, Vertical 25°
SIDE LOBES	TO ± 10° -20dB
ROTATION RATE	24 rpm
OPERATING TEMPERATURE	-25° C +55° C
IMMUNITY TO WIND (RELATIVE)	100 knots
LEVEL OF PROTECTION	IPX6 (IEC60529)
RANGE (Mn)	1/8 to 36
IMAGE PRESENTATION	Head up, North up, Course up
CABLE LENGHT	10 metres (standard)
ELECTRIC POWER SUPPLY	10.8 to 41.6 Vdc
CONSUMPTION	45W or less (3,7A @ 12V)



MAXIMUM VISIBILITY

Radar Open Array

OPEN models are used when maximum target resolution is necessary. Featuring greater capacity and lower horizontal angles, they are able to separate and make out very close targets. Compatible with all the chart plotters in both the T and S series, from 7" upwards.

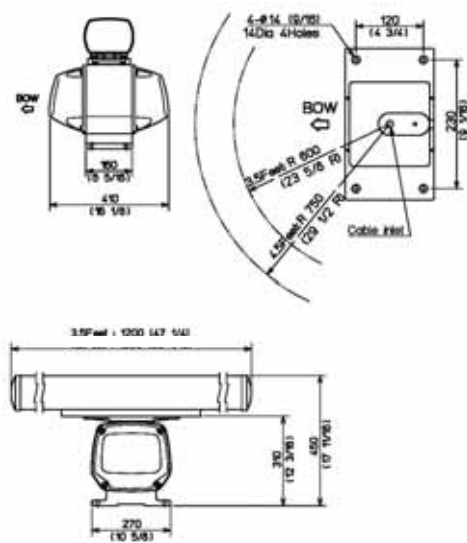


T-74.05
119.0210

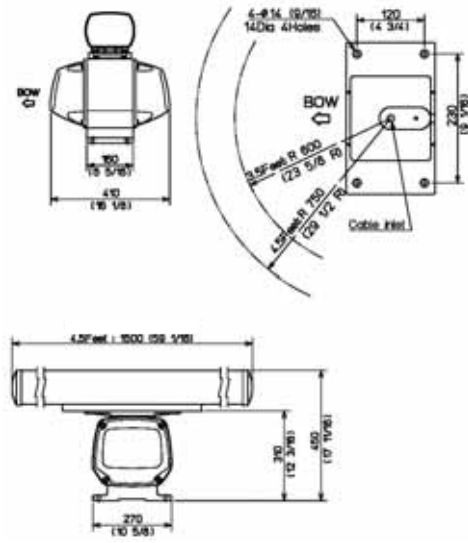


T-74.06
119.0212

T-74.05



T-74.06



Specifications

T 74.05 Radar Open 48Nm

ANTENNA TYPE	3,5 feet Open Array
TRANSMISSION POWER	4Kw
TRANSMISSION FREQUENCY	9410 ± 30 MHz
BEAM WIDTH (DEGREES)	Horizontal 2,4°, Vertical 25°
SIDE LOBE	
TO ± 10°	-23dB
OVER ± 10°	-32dB
ROTATION RATE	24 rpm
OPERATING TEMPERATURE	-25° C +55° C
IMMUNITY TO WIND (RELATIVE)	70 knots
LEVEL OF PROTECTION	IPX6 (IEC60529)
RANGE (Mn)	1/8 a 48
IMAGE PRESENTATION	Head up, North up, Course up
CABLE LENGHT	10 meters (standard)
ELECTRIC POWER SUPPLY	10.8 a 41.6 Vdc
CONSUMPTION	80W or less (6,7A @ 12V)

Specifications

T 74.06 Radar Open 48 Nm

ANTENNA TYPE	4,5 feet Open Array
TRANSMISSION POWER	4Kw
TRANSMISSION FREQUENCY	9410 ± 30 MHz
BEAM WIDTH (DEGREES)	Horizontal 1,7°, Vertical 25°
SIDE LOBE	
TO ± 10°	-23dB
OVER ± 10°	-32dB
ROTATION RATE	24 rpm
OPERATING TEMPERATURE	-25° C +55° C
IMMUNITY TO WIND (RELATIVE)	70 knots
LEVEL OF PROTECTION	IPX6 (IEC60529)
RANGE (Mn)	1/8 a 48
IMAGE PRESENTATION	Head up, North up, Course up
CABLE LENGHT	10 metres (standard)
ELECTRIC POWER SUPPLY	10.8 a 41.6 Vdc
CONSUMPTION	80W or less (6,7A @ 12V)



ONBOARD ENTERTAINMENT

Antenne satellitari TV

The new satellite TV **TechSat™** antenna system is guarantee of high performance and high quality to onboard entertainment. They are so compact (44 x 54 cm) and light (<10 kg.) in order to be installed also on small and medium vessels. The high tracking speed is get with a mathematic algorithm combined with signal tracking, providing uninterrupted satellite television reception even in very rough sea condition. It is available for the first time a satellite antenna with a user friendly and semi automatic programming mode.

T-20.01
119.0250

T-20.02
119.0252



T-20.01



T-20.02



Specifications

T-20.01 Satellite TV antenna
2 universal outputs

DIAMETER	45 cm
HEIGHT	52 cm
WEIGHT	10 Kg
AZIMUT RANGE	720°
ELEVATION RANGE	7° - 85°
ROLL AND PITCH TRACKING	60°/s
OPERATING TEMPERATURE RANGE	-20°C+50°C
LNB	2 universal outputs
SKEW REGULATION	manual and automatic
GAIN	31.5 dB
POWER CONSUMPTION	20W max
ELECTRIC POWER SUPPLY	12/24 Vdc

Specifications

T-20.02 Satellite TV Antenna
4 universal outputs

DIAMETER	45 cm
HEIGHT	52 cm
WEIGHT	10 Kg
AZIMUT RANGE	720°
ELEVATION RANGE	7° - 85°
ROLL AND PITCH TRACKING	60°/s
OPERATING TEMPERATURE RANGE	-20°C+50°C
LNB	4 universal outputs
SKEW REGULATION	manual and automatic
GAIN	31.5 dB
POWER CONSUMPTION	20W max
ELECTRIC POWER SUPPLY	12/24 Vdc



THE RIGHT GUIDE FOR ALL NAVIGATION

Autopilot

Having sophisticated navigation systems at your disposal without being able to count on a self-governing instrument means not giving substance to your on-board electronics installation. Both for powerful motoryachts and slender sailing boats, complex work crafts and fast daily-cruisers, autopilots are the most used – and welcomed - instrument used during navigation. Techmarine offers a range of Autopilots which guarantees the best solution for each type of boat.

T-80.01
119.0609



T-80.03
119.0610



T-80.01



T-80.03/T-80.04



Specifications

T-80.01 autopilot for sailing and small boats

DISPLAY	backlight LCD with 6 m cable
ELECTRIC POWER SUPPLY	12 to 14Vdc
OPERATING TEMPERATURE	-10° to 50° C
ELECTRIC POWER SUPPLY RANGE	10 to 16 Vdc
INTERFACES	NMEA 0183 2 for INPUT 1 for OUTPUT
CONSUMPTION: Standby during pilotage with 20% duty cycle	0.3 A @ 12 Vdc 2.5A
COMPASS	Fluxgate, 8 mt cable
ACCURACY	2° RMS
ROLL/PITCH	± 35°
RUDDER TRANSDUCER	10 mt. cable
MOTOR DRIVE	15 A continuous, 30 A a peak
ACCESSORIES INCLUDED	helm transducer, controller, fluxgate compass, junction box

Specifiche

Autopilot for high speed boats

DISPLAY	backlight LCD dot matrix with 6 m cable
ELECTRIC POWER SUPPLY	12 to 14Vdc
OPERATING TEMPERATURE	-10° to 50° C
ELECTRIC POWER SUPPLY RANGE	10 to 16 Vdc
INTERFACES	NMEA 0183 2 for INPUT 1 for OUTPUT
CONSUMPTION: Standby during pilotage with 20% duty cycle	0.3 A @ 12 Vdc 2.5A
COMPASS	Fluxgate, 8 mt cable
ACCURACY	2° RMS
ROLL/PITCH	± 35°
RUDDER TRANSDUCER	10 mt. cable
HELM POSITION ACCURACY	1°
AZIONAMENTO MOTORE	15 A continuous, 30 A a peak
ACCESSORIES INCLUDED	helm transducer, controller, fluxgate compass, junction box



BE WELL-INFORMED AND NAVIGATE IN SAFETY

NMEA Data

The keyword for navigating safety: know the route, depth, speed.... Being well-informed means navigating in safety. The range of Techmarine repeaters are perfectly compatible with the Multifunctional Chart Plotters, and make it possible to create a complete network for displaying navigation data in any part of the boat, so those on-board can keep the situation under control at all times.



T-91.03
119.0300

NMEA Depth

Settable alarms:

- Shallow water alarm
- Deep water alarm
- Anchor alarm

Transducers not included:

stern or thru-hull in plastic, thru-hull in bronze.



T-91.05
119.0303

T-91.03



T-91.05



Specifications

T-91.03 NMEA REPEATER

DISPLAY	Large, 4 digit LCD display, 5 levels of backlight with external backlight control
ELECTRIC POWER SUPPLY	9.50 to 33 Vdc, .035 A nominal
OPERATING TEMPERATURE	0° to 50° C
INPUT CHANNELS	4
DATA INPUT, VOLTAGE RANGE	0 a 5 V Nominal, -20V to +20V maximum
MEMORY	up to 10 new sentences (can be overwritten)
INPUT FORMAT	NMEA 0183, standard and proprietary sentences

Specifications

T-91.05 NMEA DEPTH

DISPLAY	Large, 4 digit LCD display, 5 levels of backlight with external backlight control
ELECTRIC POWER SUPPLY	9.50 to 16.00 Vdc, .037 A nominal
OPERATING TEMPERATURE	0° to 50° C
DEPTH RANGE	0.3 to 365 metres
RESOLUTION	0.1 metre to 20.0 1 over 20
KEEL OFFSET OF RANGE REGULATION	-6 to +6 m
ALARMS (ON/OFF ICON)	Shallow water alarm Deep water alarm Anchor alarm
ADDITIONAL FEATURES	Units of measurements in Knots, MPH, Km/h, metres, feet



SAFETY MEANS ALWAYS HAVING NAVIGATION DATA AND INFORMATION AT YOUR FINGERTIPS

NMEA Log

Data displayed: Speed, Average Speed, Water Temperature, Regatta Chronometer, Time Passed, Latitude, Longitude, Wind Speed and Direction, Degrees, Depth.

T-91.07
119.0305



S.A.M.

S.A.M. (Safe Anchorage Monitoring) is a built-in electronic device for pleasure boats which signals conditions which may be of a potential risk to the boat, both anchored in unprotected waters and moored in port.

Simply activate the S.A.M. in order to enjoy a quiet dinner, leaving the boat anchored in the bay, and to sleep peacefully without having to do tiring guard shifts.

T-91.08
119.0700



T-91.07



T-91.08



Specifications

T-91.07 LOG/SPEED/TEMP

DISPLAY	Large, 4 digit LCD display, 5 levels of backlight with external backlight control
ELECTRIC POWER SUPPLY	9.50 to 33.00 Vdc, .037 A nominal
OPERATING TEMPERATURE	0° to 50° C
DATI DISPLAYED	Speed, Average Speed, Water Temperature, Regatta Chronometer, Time Passed
PRECISION	Speed, Temperature and adjustable clock with the display keys
RESOLUTION	from 0.1 knots, MPH, km/h 0,1°F, °C
RANGE	speed from 0.00 to 50.0 knots Temperature from 0.0°V to 32.0° Regatta chronometer from 1 to 99 minutes
TRANSDUCER	stern passband in plastic for speed/temperature, passband in bronze for speed/temperature
ADDITIONAL FEATURES	Units of measurement in Knots, MPH, Km/h, °F, °C

Specifications

T-91.08

DISPLAY	Large, 4 digit LCD display, 5 levels of backlight
ELECTRIC POWER SUPPLY	12 to 24 Vdc
POWER CONSUMPTION	50 µA standby 50 mA operating 500 mA transmitting
OPERATING TEMPERATURE	Da 0° a 50° C
DATI DISPLAYED	Latitude, longitude, wind speed and direction, depth
RANGE	can be set
TRANSDUCER	Not included
INPUT CHANNELS	5 digital 3 analog (0 ÷ 10 Vdc) 5 NMEA
OUTPUT	1 Rolè contact 1A; 48 Vdc
WEIGHT	0,53 Kg
ADDITIONAL FEATURES	Units of measurements in Knots, MPH, Km/h, metres, feet
ACCESSORIES INCLUDED	wireless remote control, GSM antenna for sending SMS alert

Techmarine
SERIE



TECHMARINE ON BOARD



Techmarine™

...the Luxury Brand in Marine Electronics.



Distributed by:

Techmarine Europe Italy s.r.l.
Via Samuel Morse, 22
Zona Ind.le Villa Selva - 47100 Forlì (FC)
Tel. +39 0543 785236 - Fax +39 0543 785205

www.techmarine-europe.com

